



TRIDENT-COB Series

Non-Dimmable & Triac Dimmable LED Down Light Range

- TRIDENT-COB Series with External LED Driver.
- Available in 3000K/ 4000K/ 5500K
- Standard Non-Dimmable or Triac Dimmable Variants.
- High Efficiency
- Fast Installation
- Available in 3 Luminaires Wattages - 15w/30w/40w Configurations
- Delivering high Lumen output

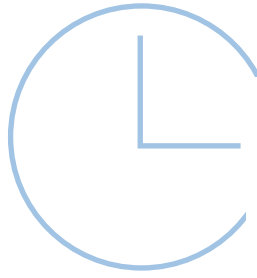
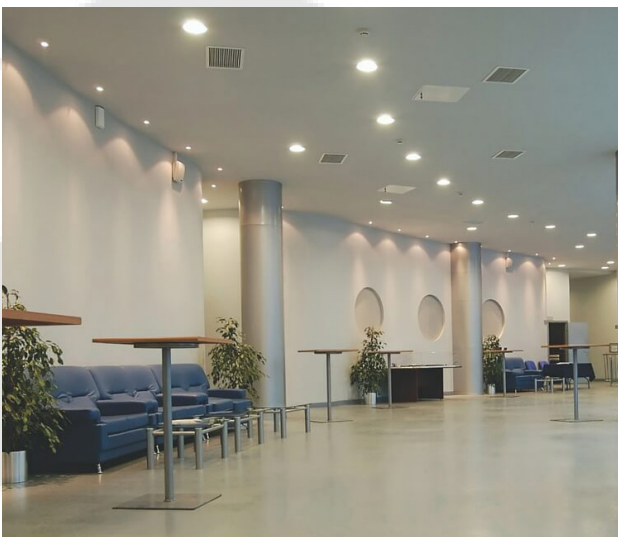
Advanced LED Lighting



TRIDENT-COB Series 5-year extended warranty.
TRIDENT-COB extended product replacement warranty requires online registration.
Visit www.syntechinternational.com.au/warranty to register your product.



The TRIDENT-COB Series produces a superior light output that makes this range a perfect high-performance replacement for CFD and legacy Incandescent luminaires. Easy to install with robust mounting springs, these downlights really are the future of ambient lighting! Inside the TRIDENT-COB is an aircraft grade aluminium heatsink, which provides effective thermal management. Combined with an industry leading Bridgelux LED COB Module, these downlights can be easily installed into shallow ceiling voids.



Low Glare, High Flexibility Uniform Light Distribution

Incorporating a "Low Glare" lens, the TRIDENT-COB delivers uniform light value throughout the application area.



Integrated PBT Aluminium Reflector

Metallised PBT in specular aluminium reflector. The reflector has a protective coat of scratch resistant clear lacquer for increased performance and durability.



Ultra-long life

The TRIDENT-COB incorporates advanced COB LED technology with an LM70 rating of 50,000 hours.

The TRIDENT-COB is backed by our 5-year commercial product replacement warranty for complete assurance of performance reliability.



TRIDENT COB SERIES

At Syntech, we believe that a manufacturers warranty is your assurance of quality.

This is why the TRIDENT-COB Series is supported by a full five-year product replacement warranty.

All Syntech products comply to the latest AS/NZS Lighting Standards.

TO REGISTER YOUR WARRANTY, SIMPLY GO TO www.syntechinternational.com.au/warranty

SERVICES & SUPPORT

If you have any questions about the Trident-COB range, please contact a member of our team.

CUSTOMER SERVICE

1300 721 820

EMAIL

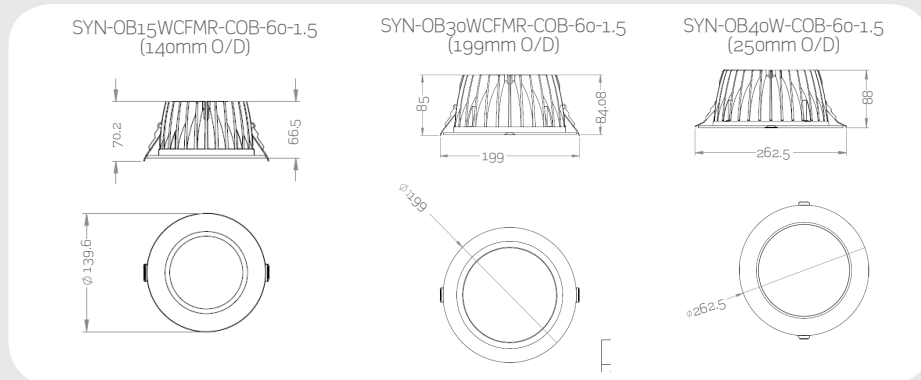
admin@syntechinternational.com.au

Trident-COB Specifications

Non-Dimmable / Triac Dimmable LED Luminaire

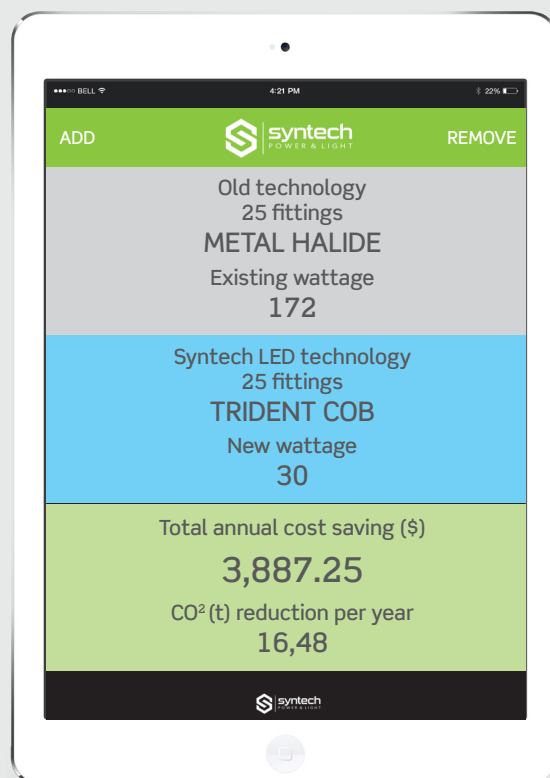


- Energy Efficient 85-90 Lumens per Watt
- Increased Energy Savings
- Excellent Retrofit Solution
- Zero Ongoing Maintenance
- CRI - RA80
- Slimline profile
- Flicker-Free Performance
- 3000K/4000K/5500K Colour Temperature
- Non-Dimmable & TRIAC Dimmable Options



85-90 LPW
Lumens per Watt
15w/30w/40w
3000K/4000K/5500K

CODE	DESCRIPTION	COLOUR TEMP	LED	LUMENS	LPW	IP
SYN-OB15WCFMR-COB-60-1.5	TRIDENT -COB Series 15w Down Light 140mm O/D 125mm Cut Out complete with external Driver and 1.5m Power Cord.	3000k/4000k/5500k	15W	1275	85	IP20/60
SYN-OB30WCFMR-COB-60-1.5	TRIDENT-COB Series 30w Down Light 190mm O/D 170mm Cut Out complete with external Driver and 1.5m Power Cord.	3000k/4000k/5500k	30W	2640	88	IP20 /65
SYN-OB40WCFMR-COB-60-1.5	TRIDENT-COB Series 40w Down Light 250mm O/D 210mm Cut Out complete with external Driver and 1.5m Power Cord.	3000k/4000k/5500k	40W	3600	90	IP20 /65





syntechinternational.com.au
1300 721 820